



Part number

CHOS 24



Brief description:

hoods for single lever, size "104.27", side entry, Pg21, EMC version, IP66

Product description		Approvals / Standards	
Version	EMC version	Quality mark	 (type:4/4X/12),  , EAC
Series	hoods for single lever	Conformity	CQC, CE
Product type	with 4 pegs	General ordering information	
Variant	side entry	EAN13 code	8015747020718
Family	CLASS enclosures	Tariff number	85369095
Size	size "104.27"	Packaging Information	
Technical data		Sub-packaging weight	0,18 kg
Material	metal	Sub-packaging description	Plastic pakaging
IP degree of protection	IP66 (and IP69K DIN 40050 - 9)	Sub-packaging quantity	1 Pcs
Cable entry	Pg21	Sub-packaging EAN barcode	8015747020725
Further technical details			
Weight	183,00 g		

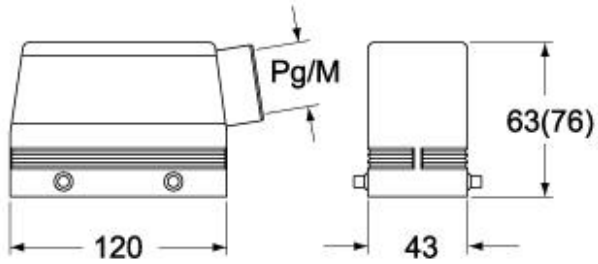
Part number

CHOS 24

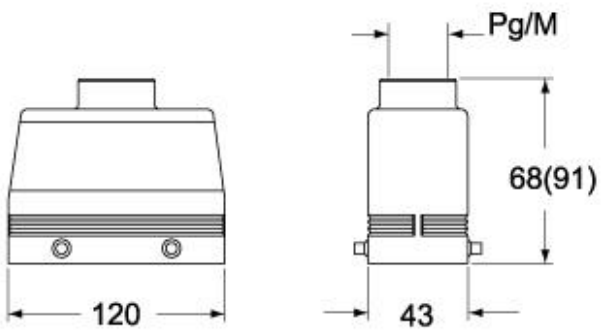


Catalogue drawings

CHOS (CAOS) - MHOS (MAOS)



CHVS (CAVS) - MHVS (MAVS)



CHCS G

